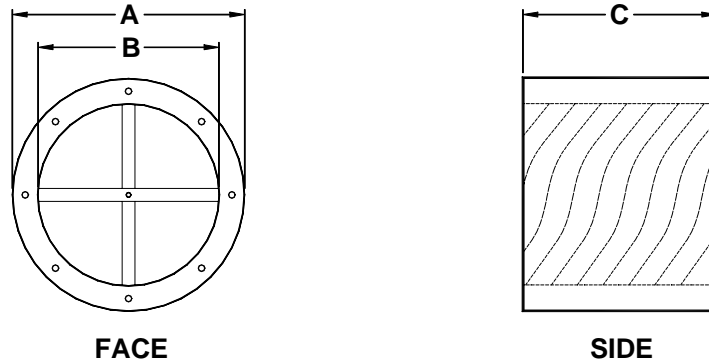


## Inline Spiral Silencer



Dimensions				
A = Dia. O.D.	B = Dia. I.D.	C = Length	Face Flow I.D.	Net Weight
13 in.	9 in.	10 in.	9 in.	16 lbs.

### DYNAMIC INSERTION LOSS

Octave Bands	1	2	3	4	5	6	7	8
Center Freq. Hz	63	125	250	500	1000	2000	4000	8000
Face Velocity	Dynamic Insertion Loss in Decibels							
-4000	18	19	18	25	32	32	34	36
-3000	18	19	17	25	32	32	34	36
-2000	17	19	17	25	31	31	33	36
-1000	17	18	16	25	31	31	33	35
+1000	17	18	16	24	31	31	33	35
+2000	17	18	16	24	31	31	33	35
+3000	17	18	16	24	30	31	33	35
+4000	17	17	16	24	30	31	32	35

### AERODYNAMIC PERFORMANCE DATA

Static Pressure Loss in Inches of H <sub>2</sub> O										
	.05	.10	.15	.20	.25	.30	.40	.50	.75	1.00
Airflow in CFM	110	290	370	410	460	525	570	600	700	810



**99 FGR-IL**

**SELF GENERATED SOUND RATINGS**

Forward Flow								
Octave Bands	1	2	3	4	5	6	7	8
Center Freq. Hz	63	125	250	500	1000	2000	4000	8000
Face Velocity	Generated Sound in Sound Power Level (Lw) (dB re 10 <sup>-12</sup> Watts)							
1000	(52)	(41)	(31)	(22)	(18)	(19)	(22)	(25)
2000	(53)	(42)	(41)	40	40	41	(25)	(27)
3000	54	44	43	42	42	43	33	35

Reverse Flow								
Octave Bands	1	2	3	4	5	6	7	8
Center Freq. Hz	63	125	250	500	1000	2000	4000	8000
Face Velocity	Generated Sound in Sound Power Level (Lw) (dB re 10 <sup>-12</sup> Watts)							
1000	(52)	(41)	(31)	(22)	(18)	(19)	(22)	(25)
2000	(53)	(42)	(41)	39	40	40	(25)	(27)
3000	53	44	42	42	42	43	33	35

**NOTE:** Sound power levels in parentheses have reached ambient levels in the test facilities test room or are determined by instrument limitations. Actual levels are less than or equal to levels indicated.

The above insertion loss values and self generated sound levels are extrapolated from actual test data from an independent testing facility per ASTM E477 "Standard Methods of Testing Duct Liner Materials and Prefabricated Silencers for Acoustical and Airflow Performance". Test reports available upon request.