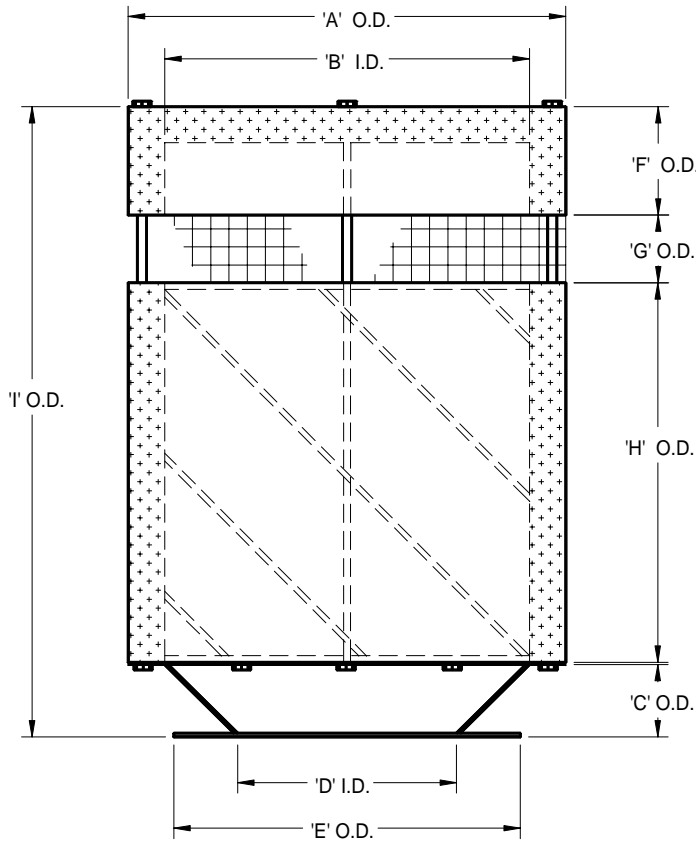




FGR-INTAKE

FGR Series INTAKE SILENCER



Notes:

1. User to provide dimensions D and E. Mounting flange furnished undrilled unless user provides hole sizes and location or number of holes on bolt circle.

Oxel® FGR series silencers are Also available in larger sizes... Up to 54" inside diameter, Handling up to 60,000 CFM.

SIZE AND MODEL NUMBER

Dim	1012 FGR	1212 FGR	1414 FGR	1616 FGR	1818 FGR	2020 FGR	2426 FGR	3030 FGR	3636 FGR	REF
A	14"	16"	18"	20"	22"	24"	28"	36"	42"	
B	10"	12"	14"	16"	18"	20"	24"	30"	36"	
C	4"	4"	4"	4"	4"	4"	4"	6"	6"	
D										NOTE 1
E										NOTE 1
F	4"	4"	5"	5"	6"	6"	6"	6"	6"	
G	3"	3"	3 3/4"	3 3/4"	3 3/4"	3 3/4"	3 3/4"	4 3/4"	4 3/4"	
H	13"	13"	15"	17"	19"	21"	26"	30"	36"	
I	24"	24"	27 3/4"	29 3/4"	32 3/4"	34 3/4"	39 3/4"	46 3/4"	52 3/4"	

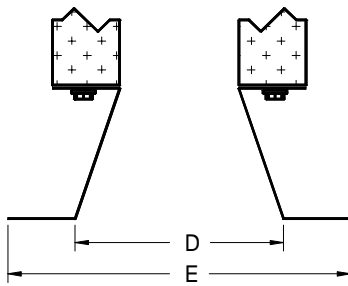


FGR-INTAKE

ATTENUATION AND AIR FLOW

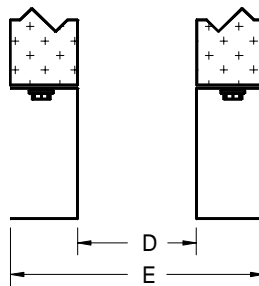
Model number	INSERTION LOSS AT 3FT.							AIR FLOW CFM		APPROX. WT. IN LBS.	
	B.B. dBA	125 dB	250 dB	500 dB	1000 dB	2000 dB	4000 dB	@ 0.50"	@ 0.75"	SILENCER	ADAPTER
1012 FGR	32	24	22	33	38	38	40	750	1130	27	10
1212 FGR	34	25	24	36	36	37	39	1420	1620	30	12
1414 FGR	33	24	23	34	37	36	31	2550	2870	43	14
1616 FGR	33	16	20	25	34	54	55	4500	5200	53	16
1818 FGR	33	18	20	28	42	40	57	5200	6000	63	19
2020 FGR	36	18	23	34	34	43	55	5900	6800	72	25
2426 FGR (2426-135 FGR)	36 (39)	17 (26)	21 (23)	39 (32)	30 (42)	46 (56)	55 (60)	9200 (11000)	10300 (12100)	110 (120)	50 (50)
3030 FGR	40	28	28	33	40	55	59	14500	17000	180	60
3636 FGR	39	27	22	32	41	53	58	20000	23000	240	70

Above reading were taken during in-plant tests of Silencers. Air flow and pressure drop tests follow the joint Standard **ASHRAE 51-75** and **AMCA 210-74**. Attenuation tests made in large reverberant room, reading high level noise at selected frequencies, "open speaker", and "attenuator in place", using **GENRAD 1565-A** And **1933** meters, calibrated with **1562-A** calibrator before test. Broad band noise generated by **GENRAD type 1390-A** noise source.



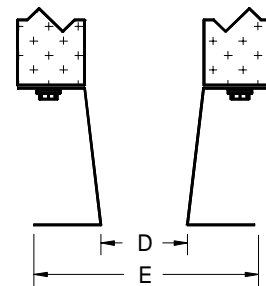
TYPE 1 ADAPTER

TAPER CONNECTS SILENCER TO LARGER SIZE INLET ON MOTOR



TYPE 2 ADAPTER

ADAPTER IS STRAIGHT – NO TAPER



TYPE 3 ADAPTER

ADAPS LAGER SIZE SILENCER TO SMALLER AIR INLET ON MOTOR

NOTE: Special adapters can be furnished for your requirements if you will supply a sketch. Adapters have internal acoustical treatment. Adapter types 1,2, and 3 will be punched to match the mounting flange of your equipment if you specify numbers and size of bolt holes and diameter of bolt circle.