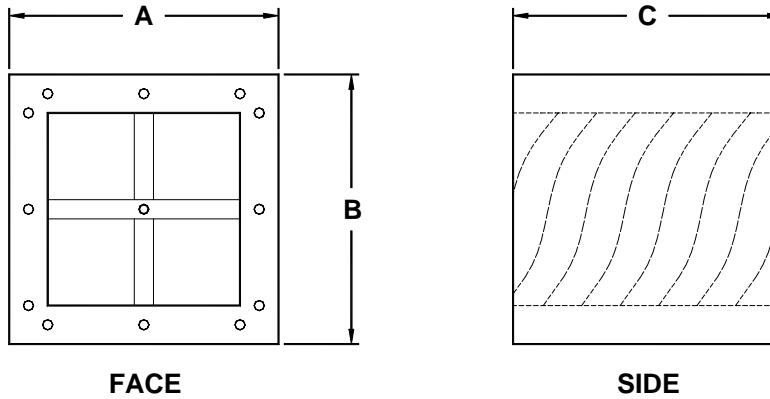




VA 1624-1S-IL

Inline Spiral Silencer



Dimensions				
A = Width	B = Height	C = Length	Face Flow I.D.	Net Weight
20 in.	20 in.	24 in.	16 in. X 16 in.	59 lbs.

DYNAMIC INSERTION LOSS

Octave Bands	1	2	3	4	5	6	7	8
Center Freq. Hz	63	125	250	500	1000	2000	4000	8000
Face Velocity	Dynamic Insertion Loss in Decibels							
-4000	18	24	27	30	39	40	54	56
-3000	17	23	26	30	38	41	54	55
-2000	17	23	26	29	38	41	53	55
-1000	17	23	26	29	38	40	53	55
+1000	17	23	26	29	38	40	53	55
+2000	17	23	26	28	38	39	53	55
+3000	17	23	26	28	37	39	53	54
+4000	16	22	26	27	37	39	52	54

AERODYNAMIC PERFORMANCE DATA

Static Pressure Loss in Inches of H ₂ O										
	.05	.10	.15	.20	.25	.30	.40	.50	.75	1.00
Airflow in CFM	900	1620	2580	3130	3900	4620	5235	6000	6850	7200

Tel: (909) 796-6200



Fax: (909) 796-6223



VA 1624-1S-IL

SELF GENERATED SOUND RATINGS

Forward Flow								
Octave Bands	1	2	3	4	5	6	7	8
Center Freq. Hz	63	125	250	500	1000	2000	4000	8000
Face Velocity	Generated Sound in Sound Power Level (Lw) (dB re 10 ⁻¹² Watts)							
1000	(53)	(40)	(30)	(22)	(18)	(19)	(24)	(28)
2000	(54)	(41)	41	42	42	41	(25)	(28)
3000	58	44	42	43	44	42	34	40

Reverse Flow								
Octave Bands	1	2	3	4	5	6	7	8
Center Freq. Hz	63	125	250	500	1000	2000	4000	8000
Face Velocity	Generated Sound in Sound Power Level (Lw) (dB re 10 ⁻¹² Watts)							
1000	(53)	(40)	(30)	(22)	(18)	(19)	(24)	(28)
2000	(54)	(41)	41	42	42	41	(25)	(28)
3000	58	44	42	43	44	42	34	40

NOTE: Sound power levels in parentheses have reached ambient levels in the test facilities test room or are determined by instrument limitations. Actual levels are less than or equal to levels indicated.

The above insertion loss values and self generated sound levels are extrapolated from actual test data from an independent testing facility per ASTM E477 "Standard Methods of Testing Duct Liner Materials and Prefabricated Silencers for Acoustical and Airflow Performance". Test reports available upon request.